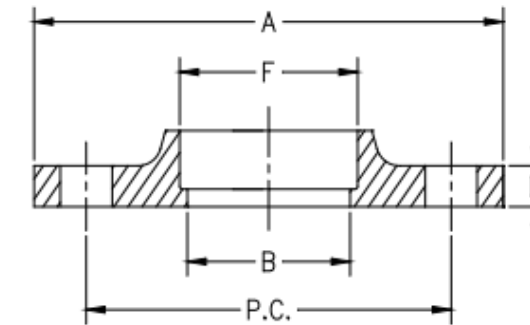




# FLANGES

Navy Flanges  
 150 PSI  
 Socket Weld  
 DWG 810-4715319  
 MIL-F-20042



## Table of Contents

150 PSI Navy Socket Weld	pg 3
150 PSI Navy Slip-On	pg 4
250 PSI Navy Socket Weld	pg 5
250 PSI Navy Slip-On	pg 6
200 PSI Navy Socket Weld	pg 7
400 PSI Navy Socket Weld	pg 8
150 PSI Navy Weld Neck	pg 9
250 PSI Navy Weld Neck	pg 10
150 PSI Commercial Socket Weld	pg 11
150 PSI Commercial Slip-On	pg 12
300 PSI Commercial Socket Weld	pg 13
300 PSI Commercial Slip-On	pg 14
150 PSI Commercial Weld Neck	pg 15
300 PSI Commercial Weld Neck	pg 16

Nominal inch	A	B	D	F	No. Holes	Hole Dia.	P.C.	Est. Weight
1/4	3.250	0.410	0.375	0.580	3	9/16	2.125	0.80
3/8	3.375	0.545	0.375	0.715	3	9/16	2.250	1.00
1/2	3.563	0.710	0.375	0.880	3	9/16	2.438	1.30
3/4	3.813	0.906	0.438	1.090	4	9/16	2.688	1.80
1	4.250	1.171	0.438	1.355	4	9/16	3.125	2.00
1 1/4	4.500	1.516	0.438	1.700	4	9/16	3.375	2.25
1 1/2	5.063	1.756	0.438	1.950	6	9/16	3.938	2.75
2	5.563	2.240	0.438	2.411	6	9/16	4.438	3.00
2 1/2	6.125	2.710	0.500	2.913	6	9/16	5.000	4.00
3	6.625	3.310	0.500	3.543	8	9/16	5.500	4.50
3 1/2	7.188	3.810	0.500	4.054	8	9/16	6.063	5.00
4	7.688	4.280	0.500	4.552	8	9/16	6.563	5.80
5	9.063	5.320	0.563	5.620	10	11/16	7.813	8.50
6	10.125	6.360	0.563	6.682	12	11/16	8.875	10.00
8	12.375	8.330	0.625	8.682	14	11/16	11.063	17.00
10	15.000	10.380	0.688	10.807	15	13/16	13.438	22.50
12	17.625	12.250	0.750	12.807	18	13/16	16.063	32.50



# 150 PSI Navy Slip-On

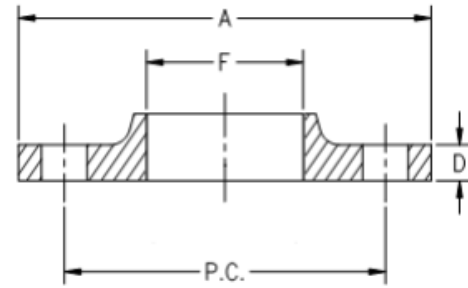


# 250 PSI Navy Socket Weld

Request Quote

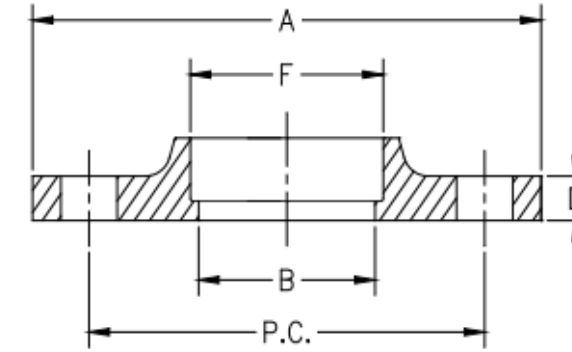
WWW.AMERITUBE.NET // 254.580.9888

Navy Flanges  
150 PSI  
Slip-On  
DWG 810-4715319  
MIL-F-20042



Nominal inch	A	D	F	No. Holes	Hole Dia.	P.C.	Est. Weight
1/4	3.250	0.375	0.580	3	9/16	2.125	0.80
3/8	3.375	0.375	0.715	3	9/16	2.250	0.90
1/2	3.563	0.375	0.880	3	9/16	2.438	1.00
3/4	3.813	0.438	1.090	4	9/16	2.688	1.30
1	4.250	0.438	1.355	4	9/16	3.125	1.60
1 1/4	4.500	0.438	1.700	4	9/16	3.375	1.80
1 1/2	5.063	0.438	1.950	6	9/16	3.938	2.20
2	5.563	0.438	2.411	6	9/16	4.438	2.650
2 1/2	6.125	0.500	2.913	6	9/16	5.000	3.40
3	6.625	0.500	3.543	8	9/16	5.500	3.70
3 1/2	7.188	0.500	4.054	8	9/16	6.063	4.10
4	7.688	0.500	4.552	8	9/16	6.563	4.50
5	9.063	0.563	5.620	10	11/16	7.813	6.50
6	10.125	0.563	6.682	12	11/16	8.875	7.50
8	12.375	0.625	8.682	14	11/16	11.063	11.30
10	15.000	0.688	10.807	15	13/16	13.438	17.20
12	17.625	0.750	12.807	18	13/16	16.063	25.60

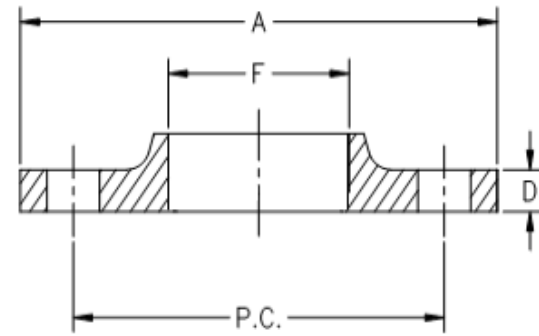
Navy Flanges  
250 PSI  
Socket Weld  
DWG 810-4715319  
MIL-F-20042



Nominal inch	A	B	D	F	No. Holes	Hole Dia.	P.C.	Est. Weight
1/4	3.250	0.410	0.688	0.580	3	9/16	2.125	1.40
3/8	3.375	0.545	0.688	0.715	3	9/16	2.250	1.80
1/2	3.563	0.710	0.688	0.880	3	9/16	2.438	2.20
3/4	3.813	0.906	0.688	1.090	4	9/16	2.688	2.50
1	4.250	1.171	0.750	1.355	4	9/16	3.125	3.00
1 1/4	4.500	1.516	0.813	1.700	4	9/16	3.375	3.50
1 1/2	5.063	1.756	0.813	1.950	6	9/16	3.938	4.50
2	5.563	2.240	0.813	2.411	6	9/16	4.438	5.00
2 1/2	6.125	2.710	0.938	2.913	6	9/16	5.000	6.50
3	6.625	3.310	0.938	3.543	8	9/16	5.500	7.20
3 1/2	7.188	3.810	1.000	4.054	8	9/16	6.063	9.00
4	7.688	4.280	1.000	4.552	8	9/16	6.563	10.50
5	9.063	5.320	1.063	5.620	10	11/16	7.813	15.30
6	10.125	6.360	1.188	6.682	12	11/16	8.875	20.50
8	12.375	8.330	1.313	8.682	14	11/16	11.063	30.00
10	15.000	10.380	1.438	10.807	15	13/16	13.438	47.50
12	17.625	12.250	1.500	12.807	18	13/16	16.063	67.00

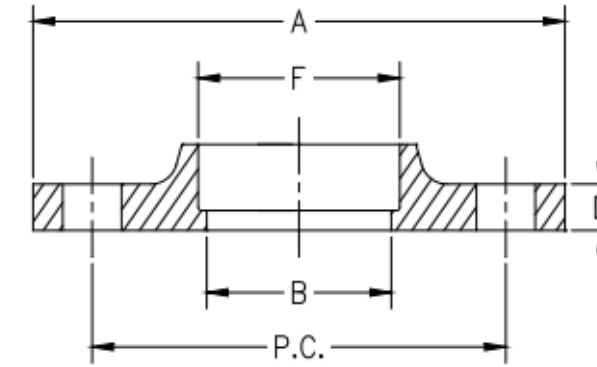


Navy Flanges  
250 PSI  
Slip-On  
DWG 801-4715319  
MIL-F-20042



Nominal inch	A	D	F	No. Holes	Hole Dia.	P.C.	Est. Weight
1/4	3.250	0.688	0.545	3	9/16	2.125	1.60
3/8	3.375	0.688	0.680	3	9/16	2.250	1.70
1/2	3.563	0.688	0.845	3	9/16	2.438	1.90
3/4	3.813	0.688	1.055	4	9/16	2.688	2.10
1	4.250	0.750	1.320	4	9/16	3.125	2.80
1 1/4	4.500	0.813	1.665	4	9/16	3.375	3.30
1 1/2	5.063	0.813	1.905	6	9/16	3.938	4.10
2	5.563	0.813	2.380	6	9/16	4.438	4.60
2 1/2	6.125	0.938	2.880	6	9/16	5.000	6.20
3	6.625	0.938	3.505	8	9/16	5.500	6.60
3 1/2	7.188	1.000	4.005	8	9/16	6.063	7.90
4	7.688	1.000	4.505	8	9/16	6.563	8.80
5	9.063	1.063	5.568	10	11/16	7.813	12.40
6	10.125	1.188	6.630	12	11/16	8.875	15.70
8	12.375	1.313	8.630	14	11/16	11.063	23.70
10	15.000	1.438	10.755	15	13/16	13.438	35.90
12	17.625	1.500	12.755	18	13/16	16.063	51.30

Navy Flanges  
200 PSI Socket Weld  
Butterfly Flange  
DWG 810-4715319  
DWG 1385892  
MIL-F-20042



Nominal inch	A	B	D	F	No. Holes	Hole Dia.	P.C.	Est. Weight
1 1/2	5.000	1.696	0.438	1.905	4	5/8	3.875	2.50
2	6.000	2.067	0.500	2.380	4	3/4	4.750	4.00
2 1/2	7.000	2.469	0.563	2.880	4	3/4	5.500	6.00
3	7.500	3.068	0.625	3.505	4	3/4	6.000	8.00
3 1/2	8.500	3.548	0.688	4.005	8	3/4	7.000	10.00
4	9.000	4.026	0.688	4.505	8	3/4	7.500	11.50
5	10.000	5.047	0.750	5.568	8	7/8	8.500	14.50
6	11.000	6.065	0.813	6.630	8	7/8	9.500	17.50
8	13.500	7.981	0.938	8.630	8	7/8	11.750	30.50
10	16.000	10.020	1.000	10.755	12	1	14.250	42.00
12	19.000	11.938	1.063	12.755	12	1	17.000	68.50

# 400 PSI Navy Socket Weld

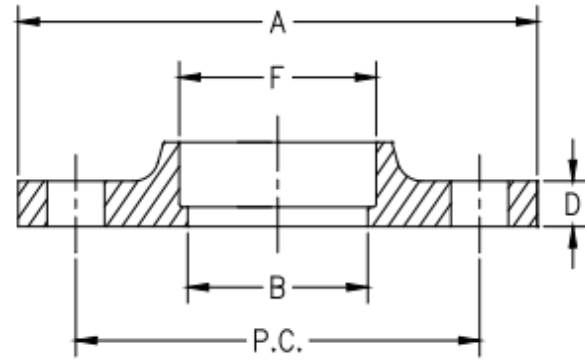


# 150 PSI Navy Weld Neck

Request Quote

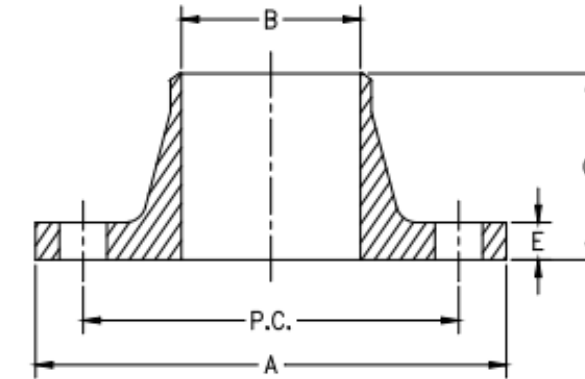
WWW.AMERITUBE.NET // 254.580.9888

Navy Flanges  
400 PSI  
Socket Weld  
DWG 810-4715319  
DWG 1385892  
MIL-F-20042



Nominal inch	A	B	D	F		No. Holes	Hole Dia.	P.C.	Est. Weight
				Min.	Max.				
1/4	3.750	0.396	0.688	0.545	0.575	3	9/16	2.625	2.30
3/8	3.875	0.531	0.688	0.680	0.710	4	9/16	2.750	2.30
1/2	4.000	0.696	0.688	0.845	0.875	4	9/16	2.875	2.50
3/4	4.313	0.906	0.688	1.055	1.085	4	9/16	3.188	2.90
1	5.063	1.171	0.750	1.320	1.350	5	11/16	3.750	4.20
1 1/4	5.375	1.516	0.813	1.665	1.695	5	11/16	4.063	5.00
1 1/2	5.938	1.756	0.813	1.905	1.935	6	11/16	4.625	6.10
2	6.500	2.240	0.813	2.380	2.426	7	11/16	5.188	7.10
2 1/2	7.563	2.710	0.938	2.880	2.931	8	13/16	6.000	10.70
3	8.125	3.310	0.938	3.505	3.560	8	13/16	6.563	11.90
3 1/2	8.688	3.810	1.000	4.005	4.060	9	13/16	7.125	14.00
4	9.250	4.280	1.000	4.505	4.565	9	13/16	7.688	15.80
5	10.375	5.320	1.063	5.568	5.628	11	13/16	8.813	20.00
6	11.938	6.360	1.188	6.630	6.690	12	15/16	10.188	28.60
8	14.750	8.330	1.313	8.630	8.690	13	11/16	12.750	45.80
10	17.000	10.380	1.438	10.755	10.815	15	11/16	15.000	63.00

Navy Flanges  
150 PSI  
Weld Neck  
MIL-F 20670 Type D



Nominal inch	A	B	C	E	No. Holes	Hole Dia.	P.C.	Est. Weight
2	5.563	2.115	2.188	0.562	6	9/16	4.438	4.20
2 1/2	6.125	2.615	2.375	0.625	6	9/16	5.000	5.60
3	6.625	3.220	2.313	0.625	8	9/16	5.500	6.40
3 1/2	7.188	3.720	2.375	0.625	8	9/16	6.063	7.30
4	7.688	4.220	2.563	0.687	8	9/16	6.563	8.40
5	9.063	5.283	3.125	0.750	10	11/16	7.813	12.80
6	10.125	6.251	3.250	0.812	12	11/16	8.875	16.40
8	12.375	8.251	3.688	0.875	14	11/16	11.063	25.60
10	15.000	10.376	3.875	1.000	15	13/16	13.438	37.30
12	17.625	12.250	4.375	0.875	18	13/16	16.063	63.50

# 250 PSI Navy Weld Neck

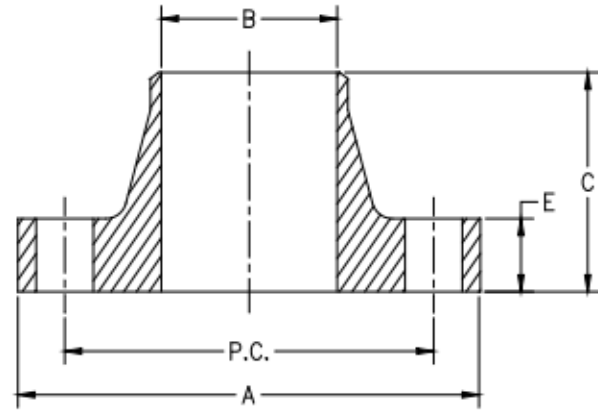


# 150 PSI Commercial Socket Weld

Request Quote

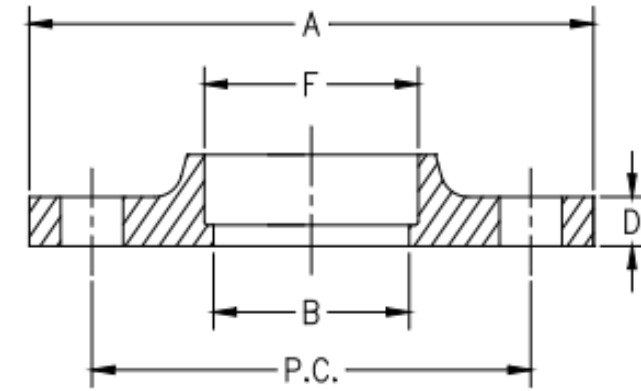
WWW.AMERITUBE.NET // 254.580.9888

Navy Flanges  
250 PSI  
Weld Neck  
DWG 810-1385992



Nominal inch	A	B	C	E	No. Holes	Hole Dia.	P.C.	Est. Weight
2	5.563	2.115	2.625	0.875	6	9/16	4.438	6.00
2 1/2	6.125	2.615	2.813	0.938	6	9/16	5.000	8.00
3	6.625	3.220	2.750	0.938	8	9/16	5.500	9.00
3 1/2	7.188	3.720	2.875	1.000	8	9/16	6.063	11.00
4	7.688	4.220	3.063	1.000	8	9/16	6.563	13.00
5	9.063	5.283	3.625	1.063	10	11/16	7.813	19.00
6	10.125	6.251	3.875	1.188	12	11/16	8.875	26.00
8	12.375	8.251	4.375	1.313	14	11/16	11.063	44.00
10	15.000	10.376	4.625	1.438	15	13/16	13.438	66.00
12	17.625	12.250	5.125	1.500	18	13/16	16.063	102.00

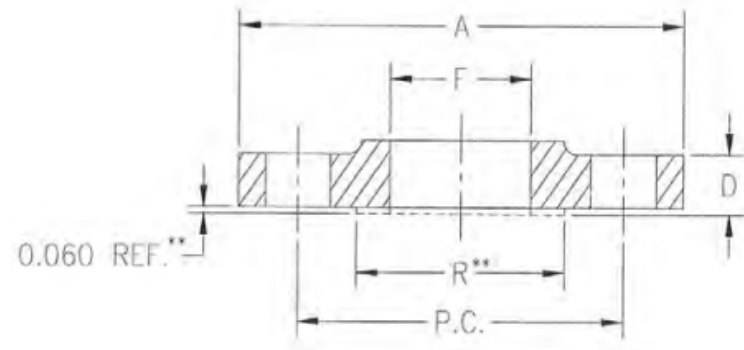
Commercial Flanges  
150 PSI  
Socket Weld  
ANSI B16.5



Nominal inch	A	B	D	F	No. Holes	Hole Dia.	P.C.	Est. Weight
1/2	3.500	0.880	0.438	0.880	4	5/8	2.375	1.20
3/4	3.875	0.906	0.500	1.090	4	5/8	2.750	1.70
1	4.250	1.171	0.563	1.355	4	5/8	3.125	2.20
1 1/4	4.625	1.516	0.625	1.700	4	5/8	3.500	2.90
1 1/2	5.000	1.756	0.688	1.950	4	5/8	3.875	3.70
2	6.000	2.240	0.750	2.440	4	3/4	4.750	5.70
2 1/2	7.000	2.710	0.875	2.940	4	3/4	5.500	9.00
3	7.500	3.310	0.938	3.750	4	3/4	6.000	10.50
3 1/2	8.500	3.810	0.938	4.070	8	3/4	7.000	13.00
4	9.000	4.280	0.938	4.570	8	3/4	7.500	14.20
5	10.000	5.320	0.938	5.660	8	7/8	8.500	16.00
6	11.000	6.360	1.000	6.720	8	7/8	9.500	19.40
8	13.500	8.330	1.125	8.720	8	7/8	11.750	31.30
10	16.000	10.380	1.188	10.880	12	1	14.250	42.30
12	19.000	12.250	1.250	12.880	12	1	17.000	69.60

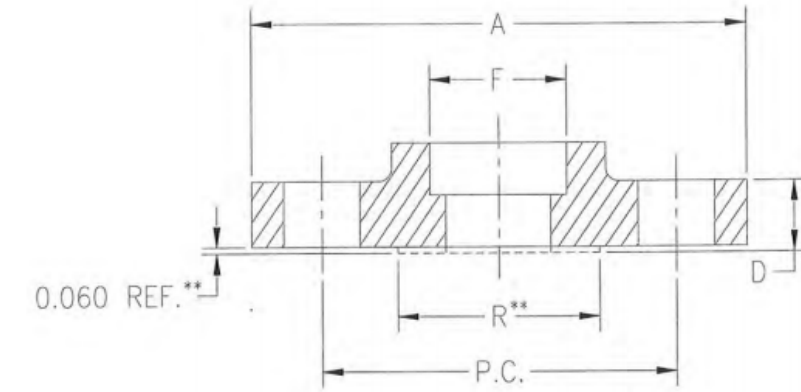


Commercial Flanges  
150 PSI  
Slip-On  
ANSI B16.5



Nominal inch	A	D	F	No. Holes	Hole Dia.	P.C.	Est. Weight
1/2	3.500	0.438	0.880	4	5/8	2.375	1.20
3/4	3.875	0.500	1.090	4	5/8	2.750	1.70
1	4.250	0.563	1.355	4	5/8	3.125	2.20
1 1/4	4.625	0.625	1.700	4	5/8	3.500	2.90
1 1/2	5.000	0.688	1.950	4	5/8	3.875	3.70
2	6.000	0.750	2.440	4	3/4	4.750	5.70
2 1/2	7.000	0.875	2.940	4	3/4	5.500	9.00
3	7.500	0.938	3.750	4	3/4	6.000	10.50
3 1/2	8.500	0.938	4.070	8	3/4	7.000	13.00
4	9.000	0.938	4.570	8	3/4	7.500	14.20
5	10.000	0.938	5.660	8	7/8	8.500	16.00
6	11.000	1.000	6.720	8	7/8	9.500	19.40
8	13.500	1.125	8.720	8	7/8	11.750	31.30
10	16.000	1.188	10.880	12	1	14.250	42.30
12	19.000	1.250	12.880	12	1	17.000	65.70

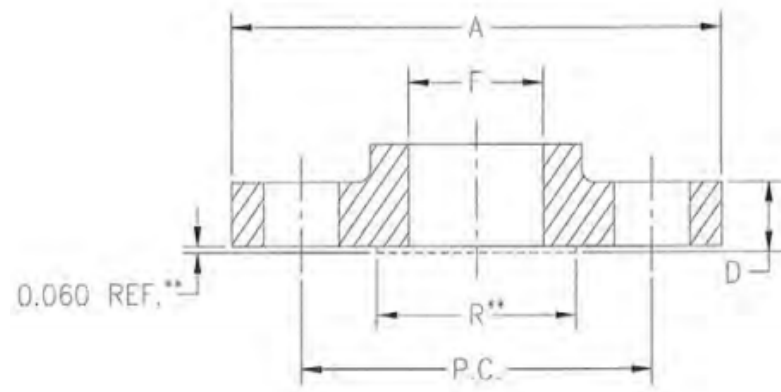
Commercial Flanges  
300 PSI  
Socket Weld  
ANSI B16.5



Nominal inch	A	D	F	No. Holes	Hole Dia.	P.C.	Est. Weight
1/2	3.750	0.563	0.880	4	5/8	2.625	1.90
3/4	4.625	0.625	1.090	4	3/4	3.250	3.20
1	4.875	0.688	1.355	4	3/4	3.500	3.90
1 1/4	5.250	0.750	1.700	4	3/4	3.875	4.80
1 1/2	6.125	0.813	1.950	4	7/8	4.500	7.00
2	6.500	0.875	2.440	8	3/4	5.000	8.10
2 1/2	7.500	1.000	2.940	8	7/8	5.875	12.00
3	8.250	1.125	3.750	8	7/8	6.625	16.00
3 1/2	9.000	1.188	4.070	8	7/8	7.250	19.90
4	10.000	1.250	4.570	8	7/8	7.875	26.00
5	11.000	1.375	5.660	8	7/8	9.250	32.80
6	12.500	1.438	6.720	12	7/8	10.625	42.30
8	15.000	1.625	8.720	12	1	13.000	64.70
10	17.500	1.875	10.880	16	1 1/8	15.250	92.40
12	20.500	2.000	12.880	16	1 1/4	17.750	136.00

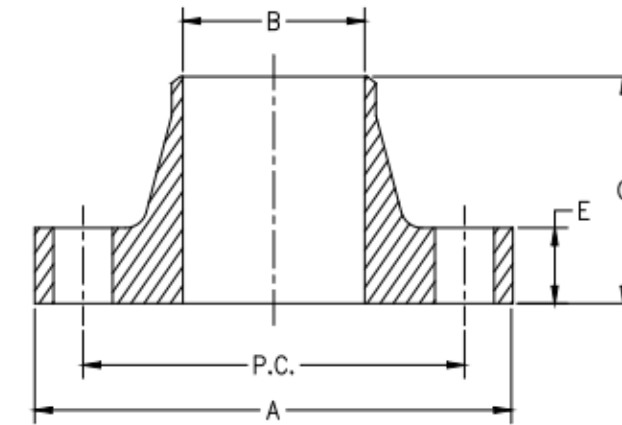


Commercial Flanges  
300 PSI  
Slip-On  
ANSI B16.5



Nominal inch	A	D	F	No. Holes	Hole Dia.	P.C.	Est. Weight
1/2	3.750	0.563	0.880	4	5/8	2.625	1.90
3/4	4.625	0.625	1.090	4	3/4	3.250	3.20
1	4.875	0.688	1.355	4	3/4	3.500	3.80
1 1/4	5.250	0.750	1.700	4	3/4	3.875	4.70
1 1/2	6.125	0.813	1.950	4	7/8	4.500	6.90
2	6.500	0.875	2.440	8	3/4	5.000	7.90
2 1/2	7.500	1.000	2.940	8	7/8	5.875	11.70
3	8.250	1.125	3.750	8	7/8	6.625	15.60
3 1/2	9.000	1.188	4.070	8	7/8	7.250	19.30
4	10.000	1.250	4.570	8	7/8	7.875	25.30
5	11.000	1.375	5.660	8	7/8	9.250	31.70
6	12.500	1.438	6.720	12	7/8	10.625	40.90
8	15.000	1.625	8.720	12	1	13.000	62.20
10	17.500	1.875	10.880	16	1 1/8	15.250	88.70
12	20.500	2.000	12.880	16	1 1/4	17.750	129.50

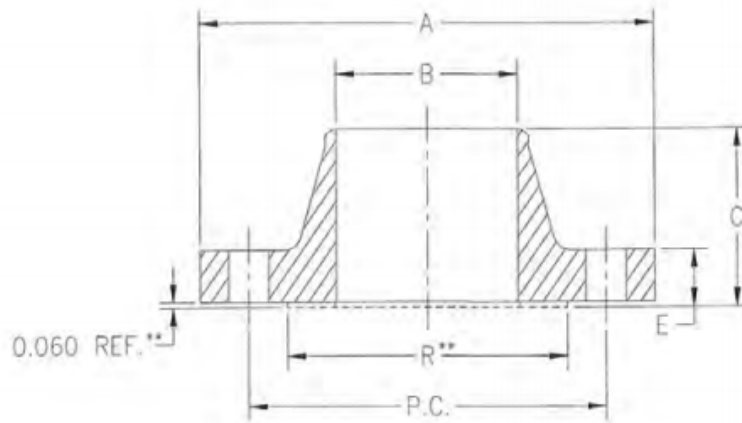
Commercial Flanges  
150 PSI  
Weld Neck  
ANSI B16.5



Nominal inch	A	B	C	E	No. Holes	Hole Dia.	P.C.	Est. Weight
1/2	3.500	0.620	1.875	0.437	4	5/8	2.375	2.00
3/4	3.875	0.820	2.062	0.500	4	5/8	2.750	2.00
1	4.250	1.050	2.187	0.562	4	5/8	3.125	3.00
1 1/4	4.625	1.380	2.250	0.625	4	5/8	3.500	3.00
1 1/2	5.000	1.610	2.437	0.687	4	5/8	3.875	4.00
2	6.000	2.070	2.500	0.750	4	3/4	4.750	6.00
2 1/2	7.000	2.470	2.750	0.875	4	3/4	5.500	8.00
3	7.500	3.070	2.750	0.938	4	3/4	6.000	10.00
3 1/2	8.500	3.550	2.810	0.938	8	3/4	7.000	12.00
4	9.000	4.030	3.000	0.938	8	3/4	7.500	15.00
5	10.000	5.050	3.500	0.938	8	7/8	8.500	19.00
6	11.000	6.070	3.500	1.000	8	7/8	9.500	24.00
8	13.500	7.980	4.000	1.125	8	7/8	11.750	39.00
10	16.000	10.020	4.000	1.188	12	1	14.250	52.00
12	19.000	12.00	4.500	1.250	12	1	17.000	80.00



Commercial Flanges  
 300 PSI  
 Weld Neck  
 ANSI B16.5



Nominal inch	A	B	C	E	No. Holes	Hole Dia.	P.C.	Est. Weight
2	6.500	2.115	2.750	0.875	8	3/4	5.000	9.80
2 1/2	7.500	2.615	3.000	1.000	8	7/8	5.875	14.50
3	8.250	3.220	3.125	1.125	8	7/8	6.625	19.10
3 1/2	9.000	3.720	3.188	1.188	8	7/8	7.250	22.70
4	10.000	4.220	3.380	1.250	8	7/8	7.875	29.40
5	11.000	5.283	3.875	1.375	8	7/8	9.250	37.30
6	12.500	6.251	3.875	1.438	12	7/8	10.625	49.60
8	15.000	8.251	4.375	1.625	12	1	13.000	76.40
10	17.500	10.376	4.625	1.875	16	1 1/8	15.250	108.70
12	20.500	12.250	5.125	2.000	16	1 1/4	17.750	166.60

